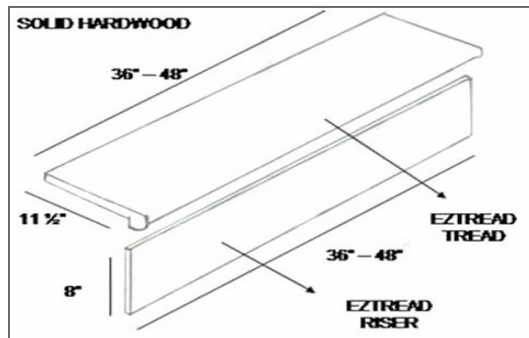


SPECIALLY DESIGNED FOR STAIRCASE REFACING



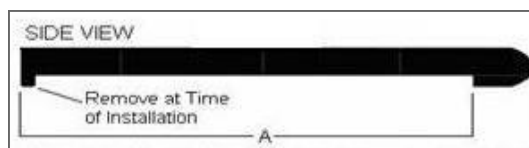
STANDARD WIDTHS:

- 11-1/2" x 36" or
- 11-1/2" x 48"

****CUSTOM SIZES UP TO 16'**

THICKNESS:

- Treads are 3/4" with a 1" Nose.
- Risers are 1/4" thick..



EZTREAD is designed to look as if it has always been a part of your staircase. These special treads and risers were designed and created by the owner of EZTREAD.

Our Custom Wood Shop produces the treads and risers from rough lumber through to the finished product.

We take great pride in our workmanship . . .

VISIT US TODAY!

BEFORE EZTREAD



AFTER EZTREAD



INVENTORY ITEMS

TREADS & RISERS

Available in 16 Species
Pre-finished & Unfinished

- * Australian Cypress
- * American Cherry
- * American Walnut
- * Brazilian Cherry/Jatoba
- * Brazilian Teak/Cumaru
- * Brazilian Walnut/IPE
- * Red Oak (Natural, Butterscotch or Gunstock)
- * Santos Mahogany
- * Tiete Rosewood/Patagonian Cherry
- * Tigerwood/Brazilian Koa
- * Andiroba
- * Birch
- * Hickory
- * Maple
- * White Oak
- * Sapele

- Other Species are Available by Special Order.
- Custom Colors are Available by Special Order.

EZTREAD Also Manufactures:

- Double Starting Steps;
- Single Starting Steps;
- Double Mitered Return Treads; and
- Right Hand or Left Hand Mitered Return Treads.

We also provide a full line of quality accessories such as handrails, newel posts, balusters and a full range of stair parts in both domestic and exotic varieties.